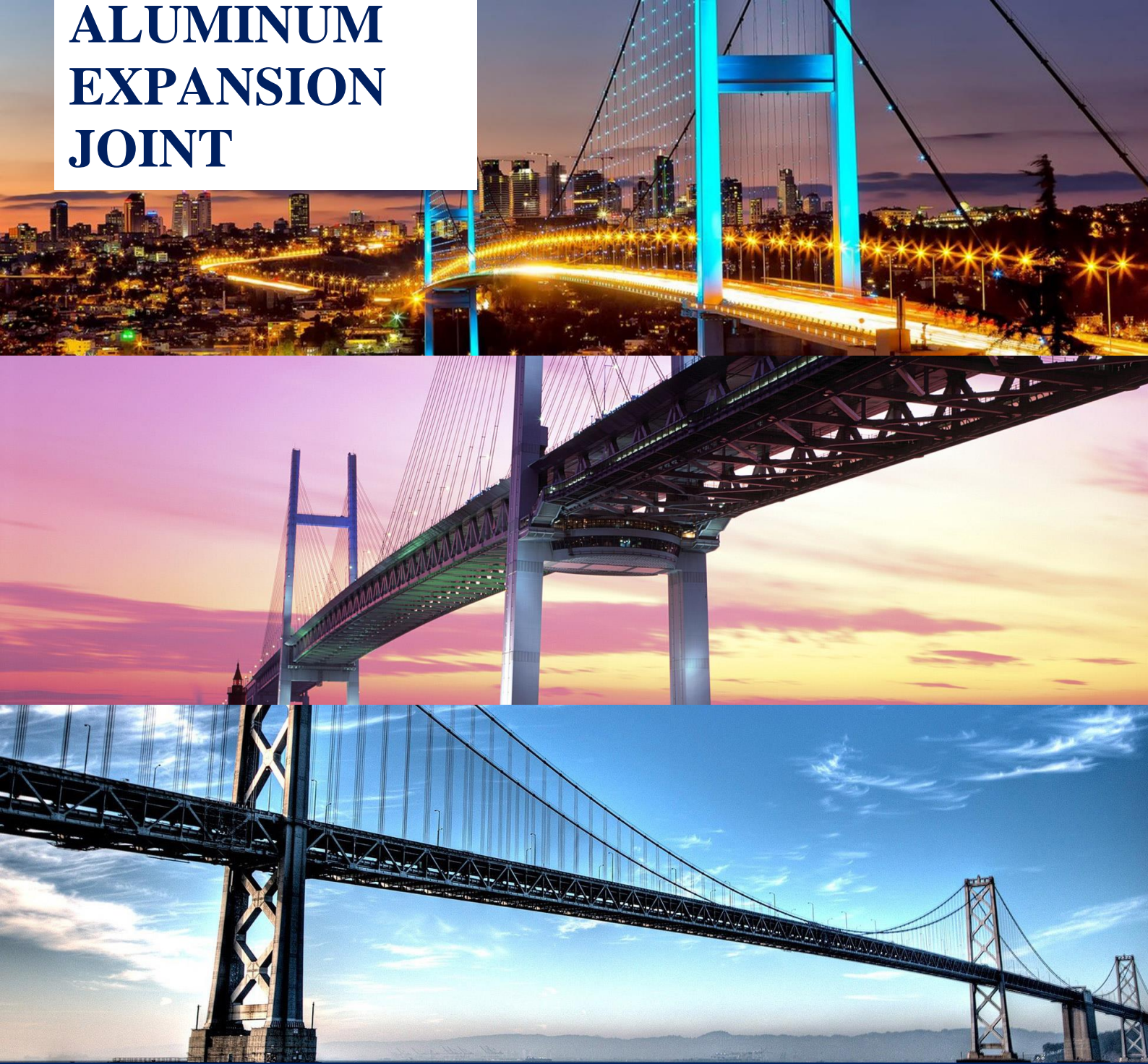


# ARFEN ALUMINUM EXPANSION JOINT



ARFEN BRIDGE AND CONSTRUCTION  
TECHNOLOGIES IND. TRADE. CO. LTD

[www.arfen.com.tr](http://www.arfen.com.tr)

## ARFEN BRIDGE AND CONSTRUCTION TECHNOLOGIES

### IND. TRADE. CO. LTD

#### **CORPORATE**

Arfen has started to operation from 1999 for create trust as a company that finds solutions to the customer's technical needs and requirements.

Arfen made agreements with international partners, so that brings international experiences to our country about bridge bearings, bridge expansion joints, seismic isolators and post-tensioning etc.

Arfen as a construction material manufacturers, is exporting product to 35 countries internationally as well as nationally.

Arfen makes technical meetings with the customer to find solutions and most economical design for their needs in the subject of Arfen. It also makes required applications and maintenances in the construction site if client requests.

Arfen is a technical manufacturer uses more than 21 years of engineering experience, which is a company in Turkey with name and patent rights of self-developed products. Arfen brings revenue to our country by exporting engineering products to 35 different countries.

Arfen makes design and production to meet the requirements of international standards under ISO-9001 Quality Management System.

Arfen provides more economical alternatives for customers with experienced engineers and high technical knowledge.

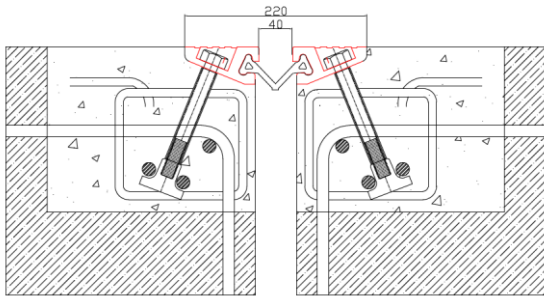
All bearings are manufactured according to EN-1337-3 and all isolators are manufactured according to EN-15129. Bearings and isolators can be manufactured according to different national standards as well, if customer requests. All other products are manufactured in accordance to TSE (Turkish Standard Institute) and international standards. Quality control tests are carried out in the Arfen laboratory.

We will continue to give service to "Finding Solution" for our customers.

**Arfen Bridge and Construction Technologies Ind. Trade. Co. Ltd.**

*All rights of the document belong to 'Arfen Bridge and Construction Technologies'. Any disclosure, copying or distribution is strictly prohibited.*

# ARFEN ALUMINUM EXPANSION JOINT



Arfen aluminum expansion joints are manufactured from high quality aluminum frame and sealed rubber. The Arfen aluminum series allows the joint to be deformed and stretched. These expansion joints are equipped with surface gutters that allow for convenient water drainage. With its special design, it provides little noise when passing over vehicles. The edge profiler is manufactured from specially drawn aluminium and carries heavy traffic loads. Profiles have a yield strength of 275 MPa and a tensile strength of 300 MPa.

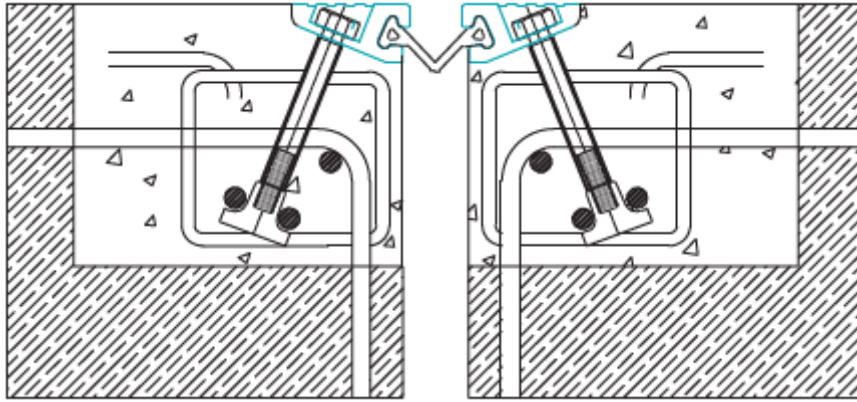
The sealed rubber is strong against grease, oil, chemical and resistant to UV rays, land and salt. In addition, two types of rubber seals can be selected as desired in these aluminium expansion joints.

This system is manufactured under the control of our qualified engineers in high quality conditions in our factory. Arfen BE aluminium series bridge expansion joints guarantee a long-term solution to corrosion.

Expansion joints of different sizes are connected to the superstructure by mounting on both sides using corrosion-resistant galvanized anchor bolts and chemical anchors suitable for absorbing elastic reactions, mechanical vibrations and other movements of the structure.

*All rights of the document belong to 'Arfen Bridge and Construction Technologies'. Any disclosure, copying or distribution is strictly prohibited.*

M20 bolts are used in the anchorage process. Repairs and replacement of old expansion joints are very easy. Without breaking concrete you can change expansion joint.



### ***A-BE Aluminium Expansion Joint;***

Easy installation

You can choose seal type from 2 different model

Movement Capacity up to 120 mm

M20 Galvanised Anchors are used

Continues seal so water tight jointing system

Frames extruded from speical grade of aluminium

Smooth passing over the expansion joints do to the flush finish with traffic surface

Footh path cover plates can be provided if required

Low maintenance

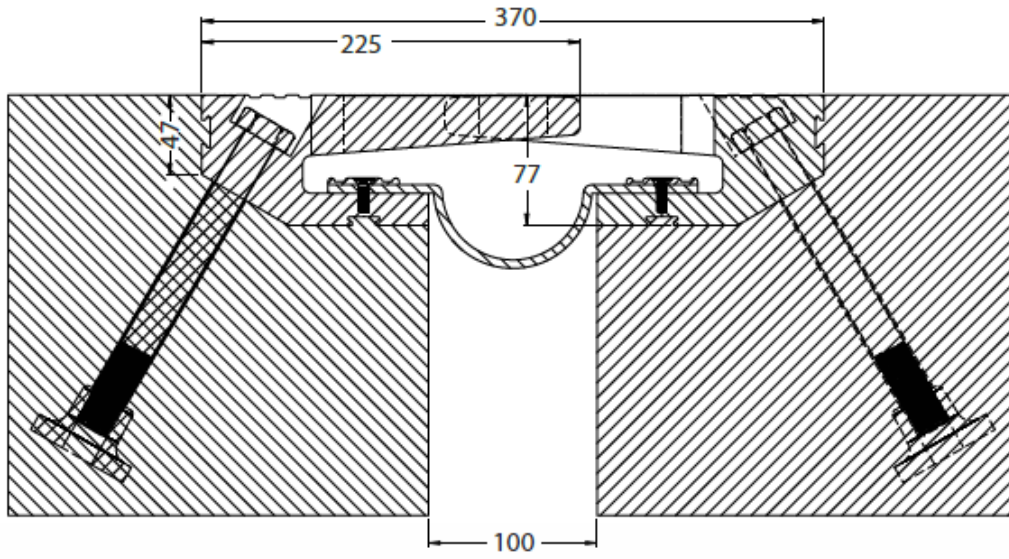
Seals can cover vertical misalignment and limited skew angle

Longterm solution

<b>Model</b>	<b><i>Movement Capacity</i></b>	<b><i>Installation Gap</i></b>	<b><i>Profile Length</i></b>	<b><i>M20 Bolt Space</i></b>
<b>A-BE 50</b>	0-50 mm	25 mm	2000 mm	200 mm
<b>A-BE 80</b>	0-80 mm	40 mm	2000 mm	200 mm
<b>A-BE 100</b>	0-100 mm	50 mm	2000 mm	200 mm
<b>A-BE 120</b>	0-120 mm	60 mm	2000 mm	200 mm
<b>A-BE S 160</b>	0-160 mm	80 mm	2000 mm	200 mm

*All rights of the document belong to 'Arfen Bridge and Construction Technologies'. Any disclosure, copying or distribution is strictly prohibited.*

## A-BE S 160



*All rights of the document belong to 'Arfen Bridge and Construction Technologies'. Any disclosure, copying or distribution is strictly prohibited.*

# MATERIALS

The Arfen A-BE Expansion Joint system side profiles are extruded from heavy duty structural grade aluminium.

Their properties;

- Tensile 300 MPa
- Elongation %15
- Yield 275 MPa.

Density	Thermal Expansion	Melting Point	Modulus of Elasticity	Thermal Conductivity	Electrical Resistivity
2,70 g/cm <sup>3</sup>	23,5*10 <sup>-6</sup> K	655 C	69,5 GPa	201 W/m.K	52% IACS

## ANCHORS:

Anchor system made by M20 grade 8.8. galvanised bolts. This anchoring system allows to change old expansion joints easily with new one when it needed.

## SEALS:

There are two type of seals . They can cover different movement range. Seals locked with frame by male female interlocking earlobe system.



*All rights of the document belong to 'Arfen Bridge and Construction Technologies'. Any disclosure, copying or distribution is strictly prohibited.*



## Supplied Project;

*Belgium*

*France*

*Burkina Faso*

*Pakistan etc...*

*All rights of the document belong to 'Arfen Bridge and Construction Technologies'. Any disclosure, copying or distribution is strictly prohibited.*



**ARFEN BRIDGE AND CONSTRUCTION TECHNOLOGIES IND. TRADE. CO. LTD**

*Çerkeşli OSB Mah. İmes 3 Bulvarı No:27 Dilovası/KOCAELİ*

*[www.arfen.com.tr](http://www.arfen.com.tr)*

*All rights of the document belong to 'Arfen Bridge and Construction Technologies'. Any disclosure, copying or distribution is strictly prohibited.*